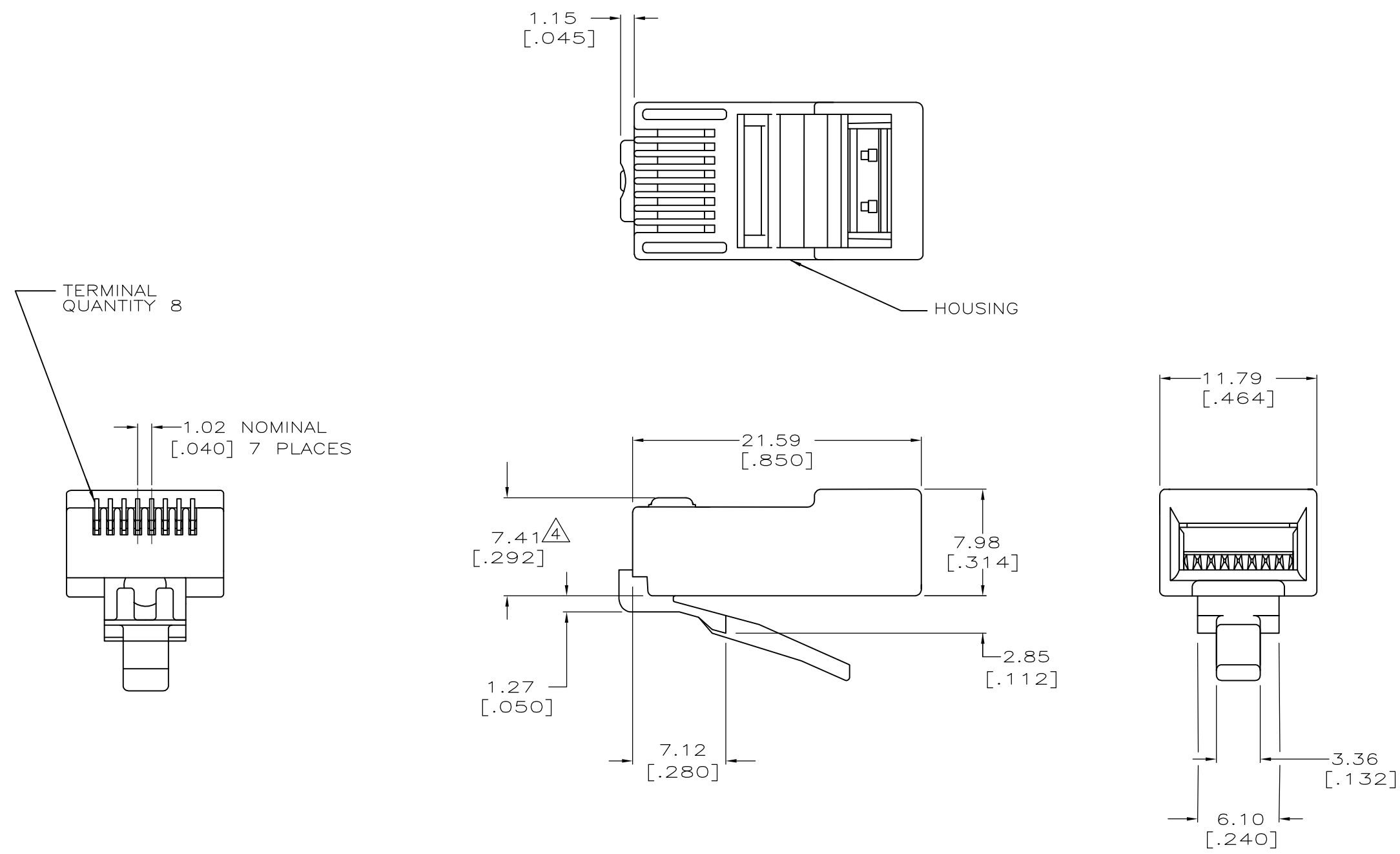


LOC HM DIST 00

REVISIONS				
P	LTR	DESCRIPTION	DATE	APVD
B		ECO-06-021606	13OCT06	JM CD
C		REV ECO-08-007212	31MAR08	LH BM



- ⚠ DIMENSIONS ARE MAXIMUM UNLESS OTHERWISE SPECIFIED.
- ⚠ MATERIAL: HOUSING- POLYCARBONATE BLUE. TERMINAL- PHOSPHOR BRONZE, PLATED WITH 1.27μm [.000050] MINIMUM THICK GOLD IN LOCALIZED GOLD PLATE AREA, GOLD FLASH ON THE REMAINDER, OVER 2.54μm [.000100] MINIMUM THICK NICKEL UNDERPLATE.
- 3. PLUG WILL ACCEPT 26 OR 28 AWG STRANDED WIRE, 0.74-0.86 [.029-.034] DIAMETER, WITH AN OVAL CABLE JACKET OF 2.29 X 8.77 [.090 X .345] MAXIMUM.
- ⚠ TERMINATED DIMENSION 6.15 [.242] MAXIMUM.
- ⚠ 1000 ASSEMBLIES PER PACKAGE.
- ⚠ 100 ASSEMBLIES PER PACKAGE.

⚠	5-557973-3
⚠	5-557973-2

THIS DRAWING IS A CONTROLLED DOCUMENT.		DWN B. SIMPSON 6-9-93	Tyco Electronics Corporation Harrisburg, PA 17105-3608	
DIMENSIONS: mm [INCHES]		CHK C. WHITT 6-17-93	NAME HAWKINS/MCGRATH	
TOLERANCES UNLESS OTHERWISE SPECIFIED:		APVD HAWKINS/MCGRATH 6-21-93	PRODUCT SPEC 108-1163	
0 PLC ± -	1 PLC ± -	APPLICATION SPEC 114-6016	SIZE A2	CAGE CODE 00779
2 PLC ± -	3 PLC ± -	WEIGHT -	DRAWING NO C=557973	RESTRICTED TO -
4 PLC ± -	ANGLES ± -	CUSTOMER DRAWING		
MATERIAL ⚠	FINISH ⚠	SCALE 4:1	SHEET 1 OF 1	REV C